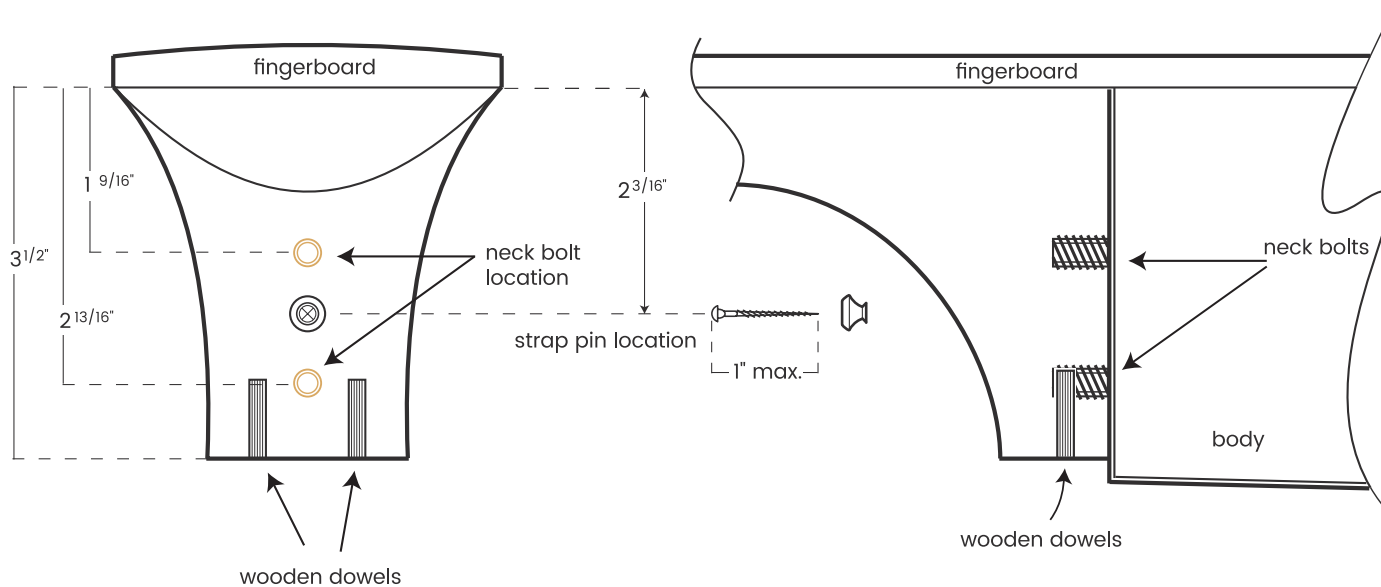


RECOMMEND STRAP PIN INSTALLATION

- It is important not to hit the internal bolts that connect the neck to the body as well as the maple dowel at the base of the heel.
- There are two versions of neck bolt location. The first, our 'original' neck bolt location, and the second 'shortened' heel location, which is used on guitars built with a reduced depth guitar body.
- When inserting a strap pin, do not use a screw longer than 1 inch in length. Never use a power screw-driver.
- You may use some wax to lubricate the screw before inserting. This will prevent cracking or splitting.
- Please note that only a qualified guitar technician should install the endpin.

ORIGINAL HEEL LONG STRAP PIN INSTALLATION

We recommend drilling a pilot hole on the rounded part of the heel $2\frac{3}{16}$ inches from the bottom of the fingerboard. See illustration below:



SHORTENED HEEL STRAP PIN INSTALLATION

- In general, the shortened heel length is approximately 3 inches in length, and is incorporated in our newer 'shallow' body guitars.
- The best way to determine which heel length is used on your guitar, is to measure from the bottom edge of the fingerboard down to the base of the heel.
- For the 'shortened' heel, we recommend drilling a pilot hole on the rounded part of the heel 1 11/16 inches from the bottom of the fingerboard.

